

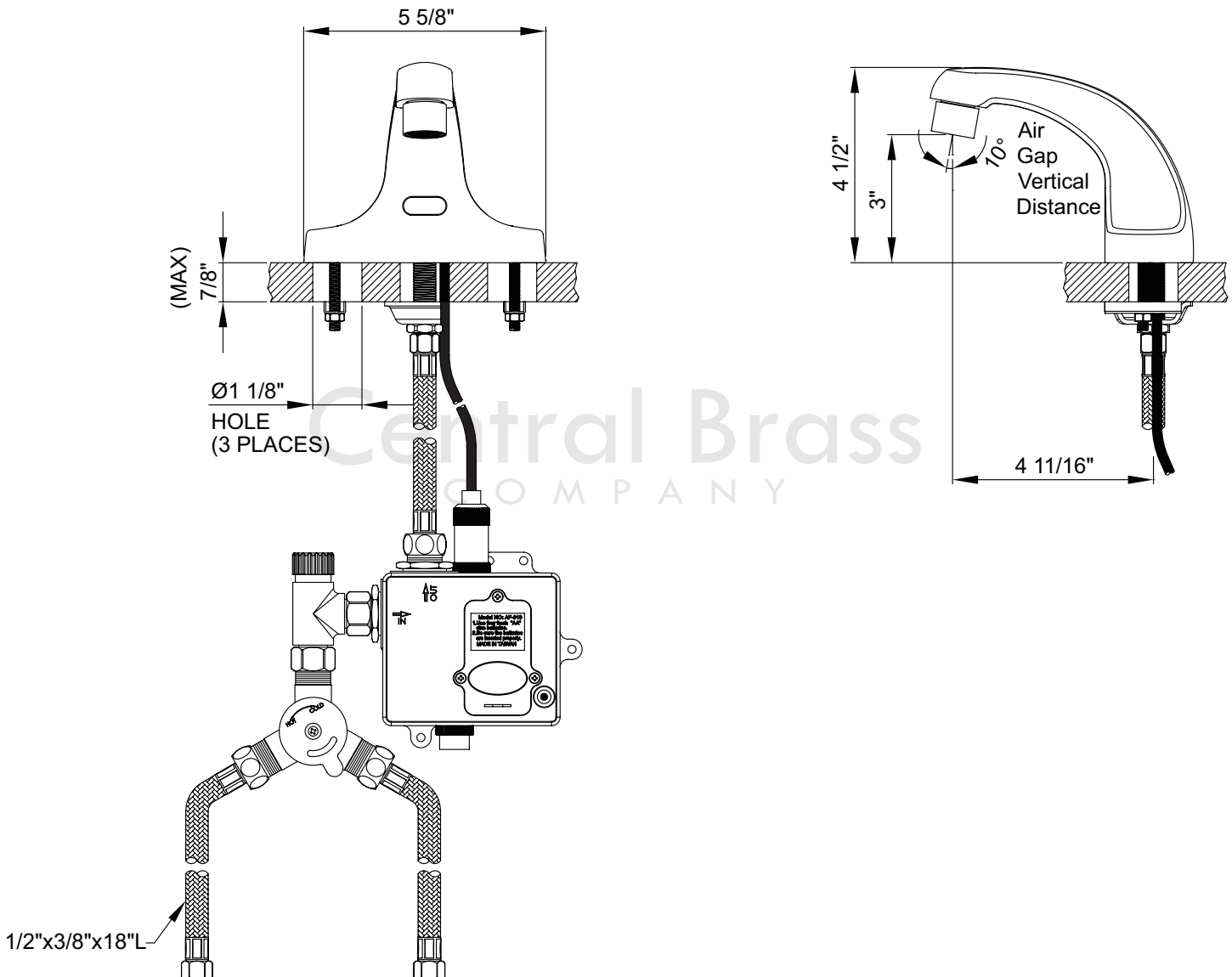


### Three Hole Deck Mount Electronic Sensor Faucet

- AC/DC Control Module
- 4-11/16" Reach, 3" From Deck to Aerator
- Temperature Control Mixing Valve
- 3-Hole 4" Installation
- Long Battery Life With Low Battery Indicator
- 3/8" compression SS Flex Hoses, Vandal Resistant 0.5 GPM Flow Aerator



\*For other finishes and flow rates offered, please visit our website, email an inquiry to or contact our sales at 800-338-9468



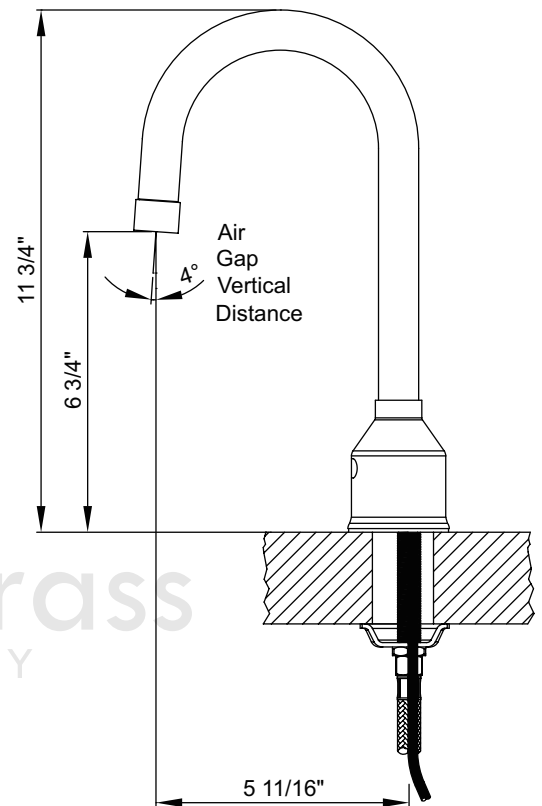
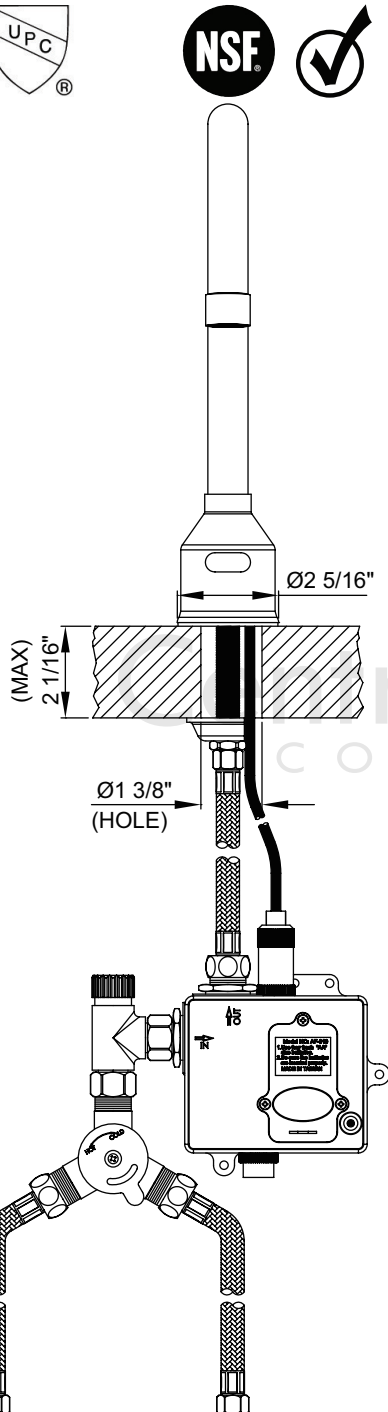


### Single Hole Gooseneck Deck Mount Electronic Sensor Faucet

- AC/DC Control Module
- 5-11/16" Reach, 6-3/4" From Deck to Aerator, Rigid Gooseneck Spout
- Temperature Control Mixing Valve
- Long Battery Life With Low Battery Indicator
- 3/8" compression SS Flex Hoses, Vandal Resistant 0.5 GPM Flow Aerator



\*For other finishes and flow rates offered, please visit our website, email an inquiry to or contact our sales at 800-338-9468



1/2"x3/8"x18"L



### Single Hole Deck Mount Electronic Sensor Faucet

- AC/DC Control Module
- 5-3/16" Reach, 5-5/16" From Deck to Aerator
- Temperature Control Mixing Valve
- 1 or 3-Hole 4" Installation
- Long Battery Life With Low Battery Indicator
- 3/8" compression SS Flex Hoses, Vandal Resistant 0.5 GPM Flow Aerator
- 4" Deck Cover Plate Included
- Sensor Range Is Adjustable From 3/4" To 6-3/4"
- Recommended 4 AA Alkaline Battery, Run Approx. 300K Cycles Before Need To Be Replaced
- No Run Time Adjustment

\*For other finishes and flow rates offered, please visit our website, email an inquiry to or contact our sales at 800-338-9468

