

Central Brass

MANUFACTURING COMPANY

2950 East 55th St. Cleveland, Ohio 44127

Phone: (216) 883-0220 Fax: (216) 883-0875

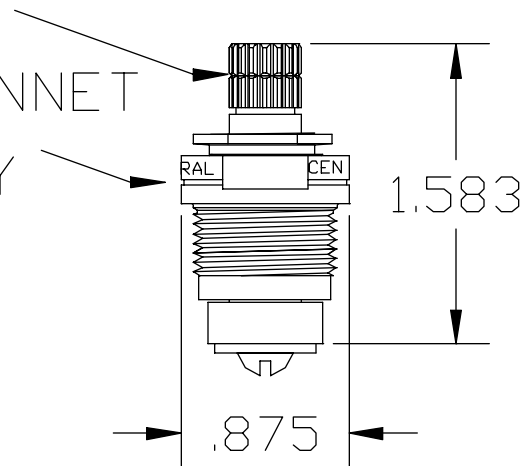
www.CentralBrass.com

STEM REFERENCE DRAWINGS

NOTE: ID GROOVE ON SPLINE 1/4 TURN STEMS

NOTE: ID GROOVE ON BONNET

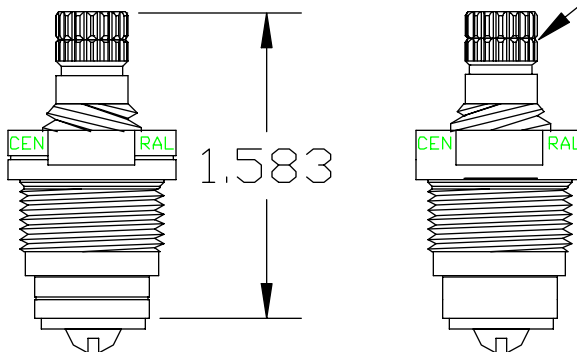
FOR SU-354-EL ONLY



SU-354-EL/ER

NOTE: 1/4 TURN STEMS

NOTE: ID GROOVE ON SPLINE FOR 1/4 TURN STEMS



SU-454-EL SU-454-ER

Central Brass

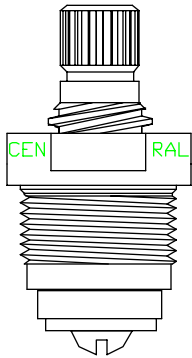
MANUFACTURING COMPANY

2950 East 55th St. Cleveland, Ohio 44127

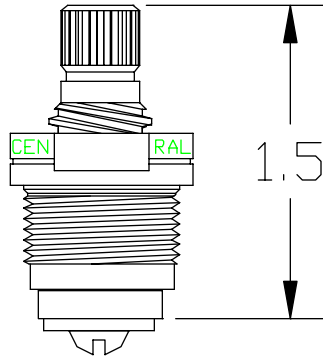
Phone: (216) 883-0220 Fax: (216) 883-0875

www.CentralBrass.com

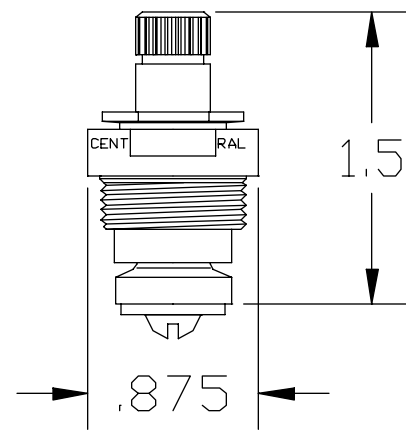
STEM REFERENCE DRAWINGS



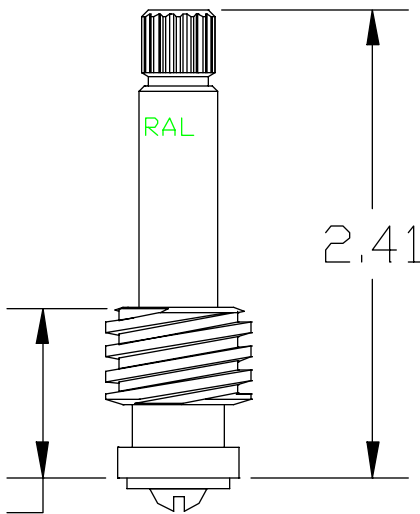
SU-453-ER



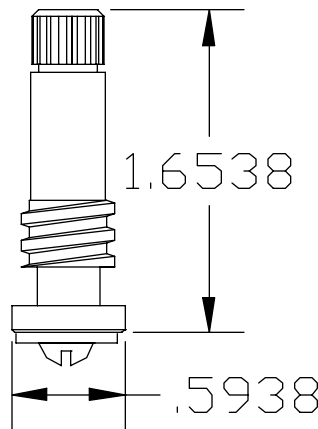
SU-453-EL



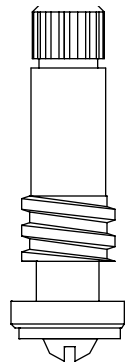
SU-353-EL/ER



SU-1858-ARC



SU-357-BR



SU-357-BL

Central Brass

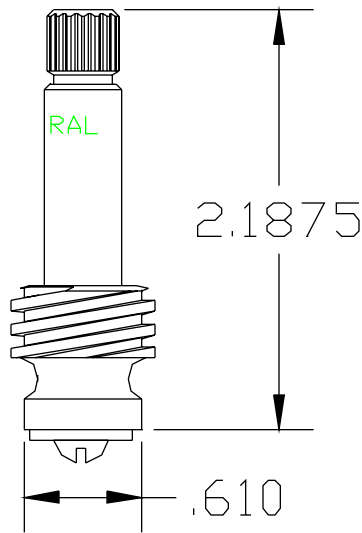
MANUFACTURING COMPANY

2950 East 55th St. Cleveland, Ohio 44127

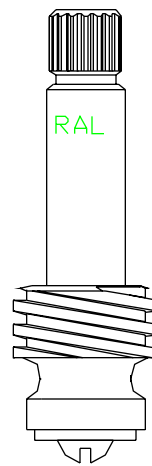
Phone: (216) 883-0220 Fax: (216) 883-0875

www.CentralBrass.com

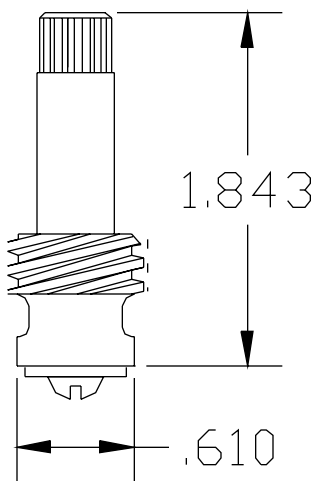
STEM REFERENCE DRAWINGS



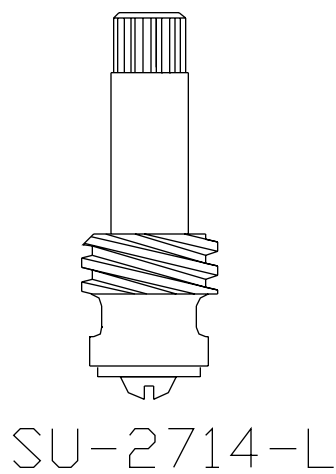
SU-1855-47R(P)



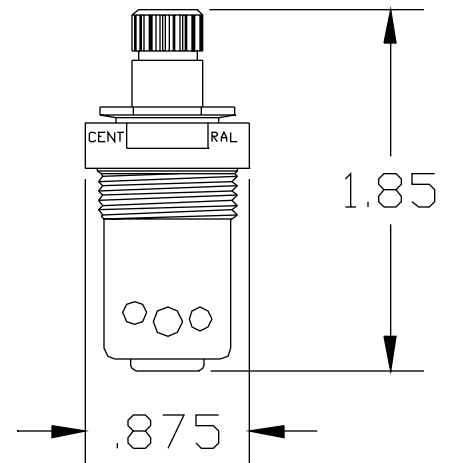
SU-1855-47L



SU-2714-R



SU-2714-L



SU-353-EWC/EWH

Central Brass

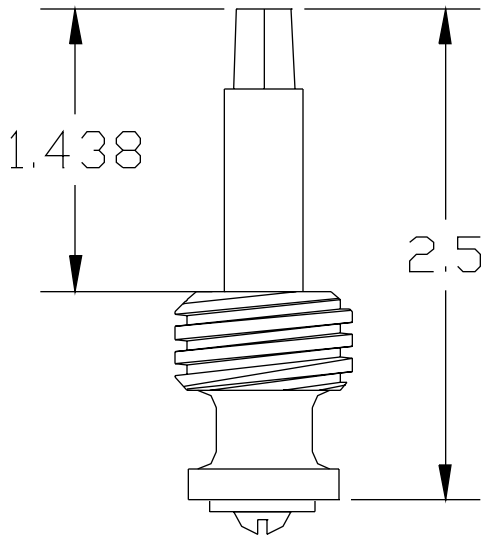
MANUFACTURING COMPANY

2950 East 55th St. Cleveland, Ohio 44127

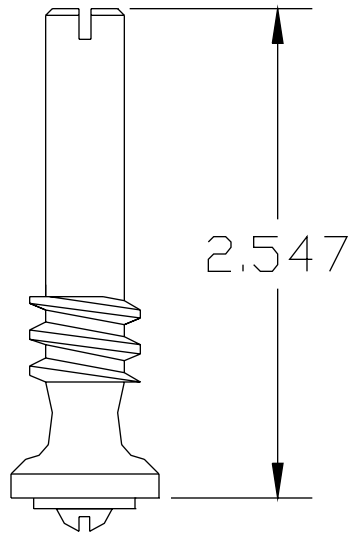
Phone: (216) 883-0220 Fax: (216) 883-0875

www.CentralBrass.com

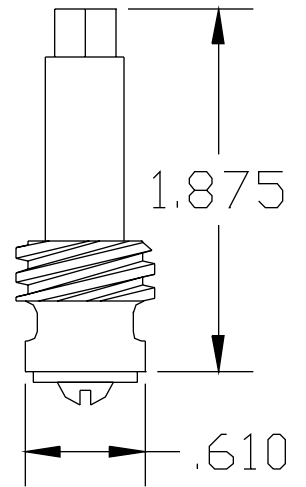
STEM REFERENCE DRAWINGS



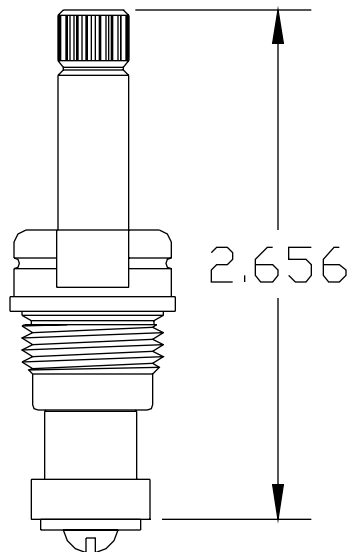
SU-1839



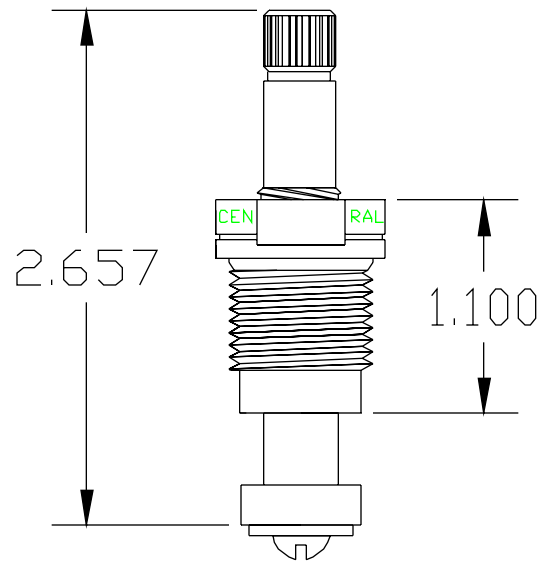
SU-1528



SU-2713-R



SU-158-KL/KR



SU-458-KL/KR

Central Brass

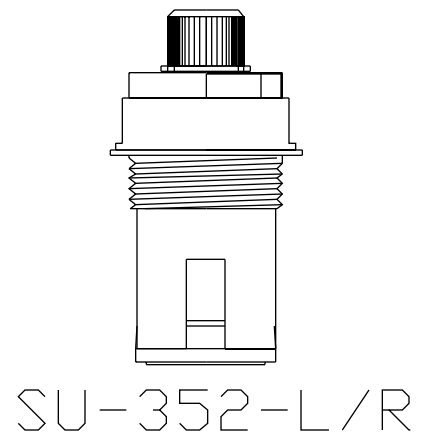
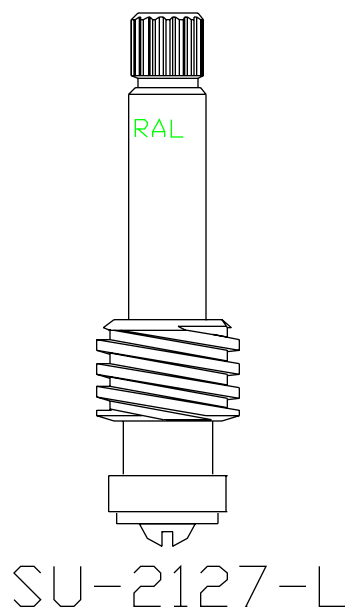
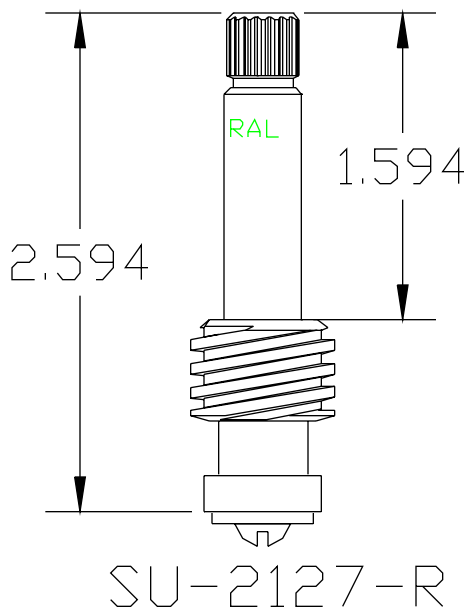
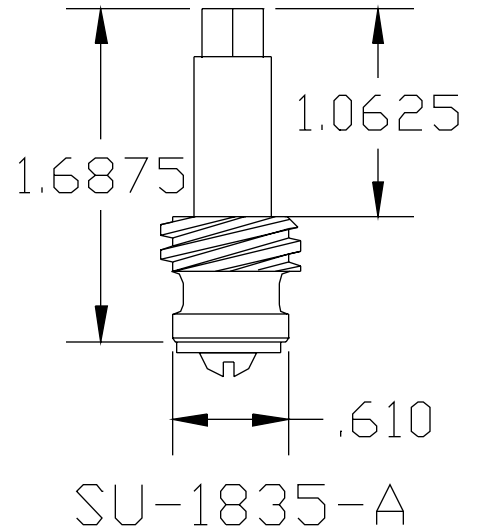
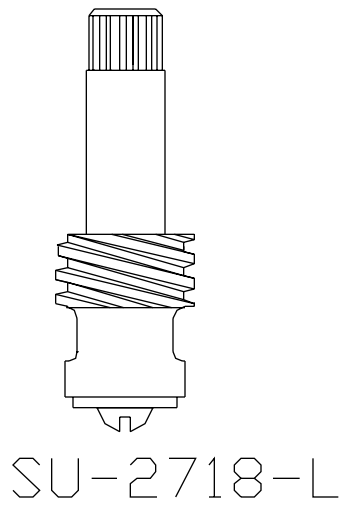
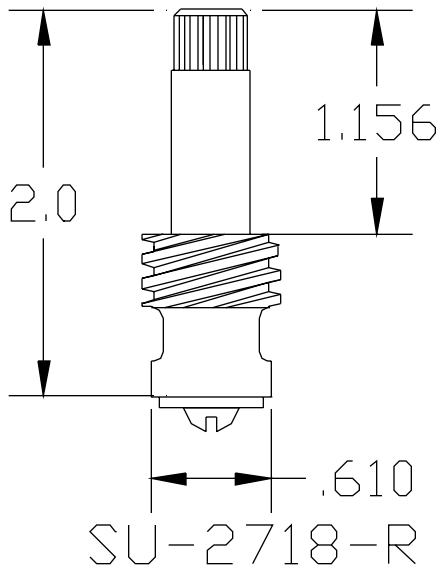
MANUFACTURING COMPANY

2950 East 55th St. Cleveland, Ohio 44127

Phone: (216) 883-0220 Fax: (216) 883-0875

www.CentralBrass.com

STEM REFERENCE DRAWINGS



Central Brass

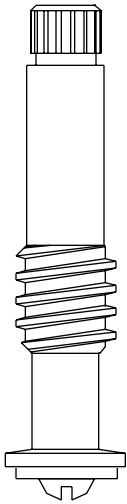
MANUFACTURING COMPANY

2950 East 55th St. Cleveland, Ohio 44127

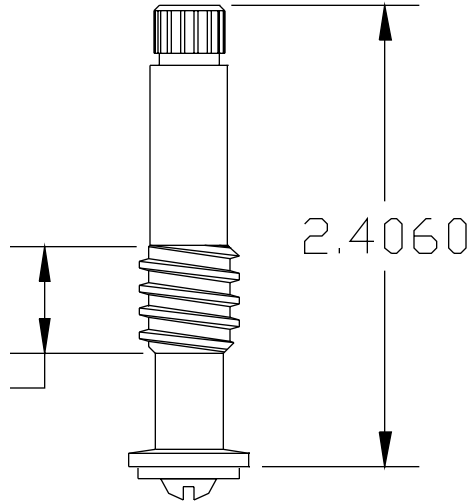
Phone: (216) 883-0220 Fax: (216) 883-0875

www.CentralBrass.com

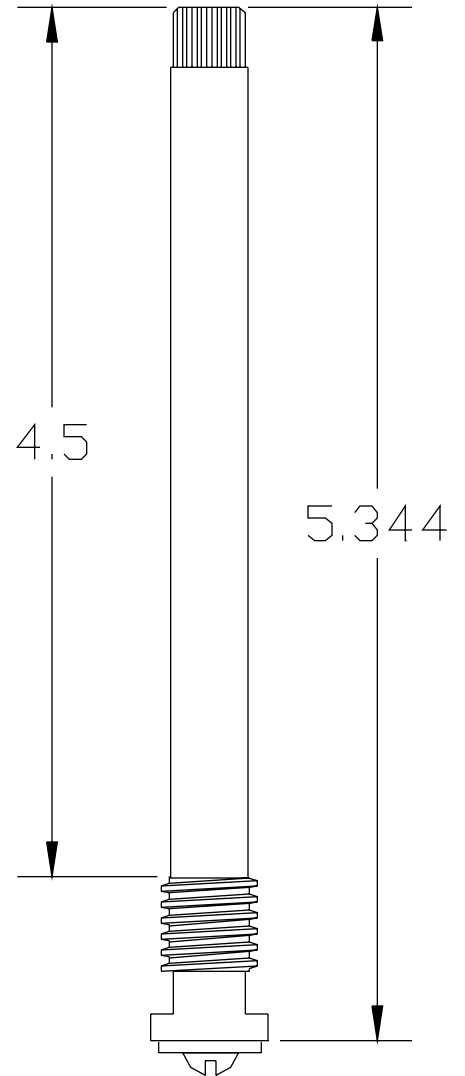
STEM REFERENCE DRAWINGS



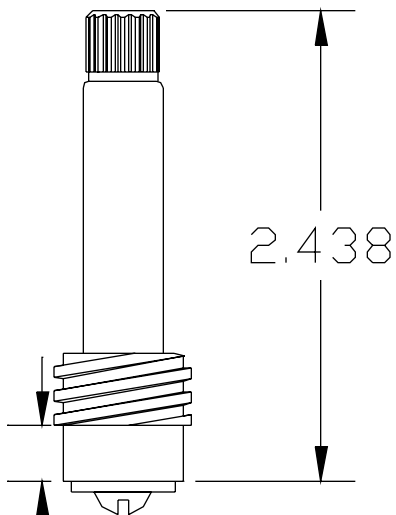
PF-2101-R



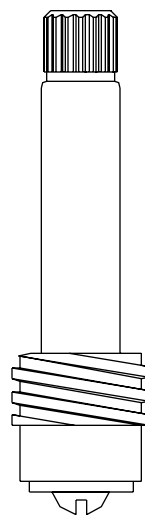
PF-2101-L



SU-2641-XR



.281 SU-1990-R



SU-1990-L

Central Brass

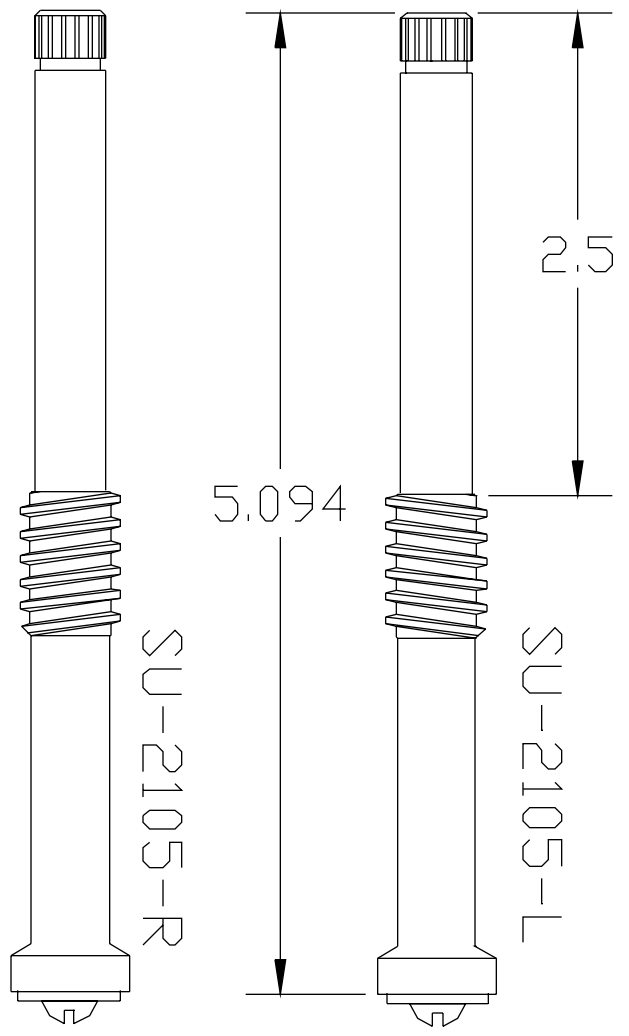
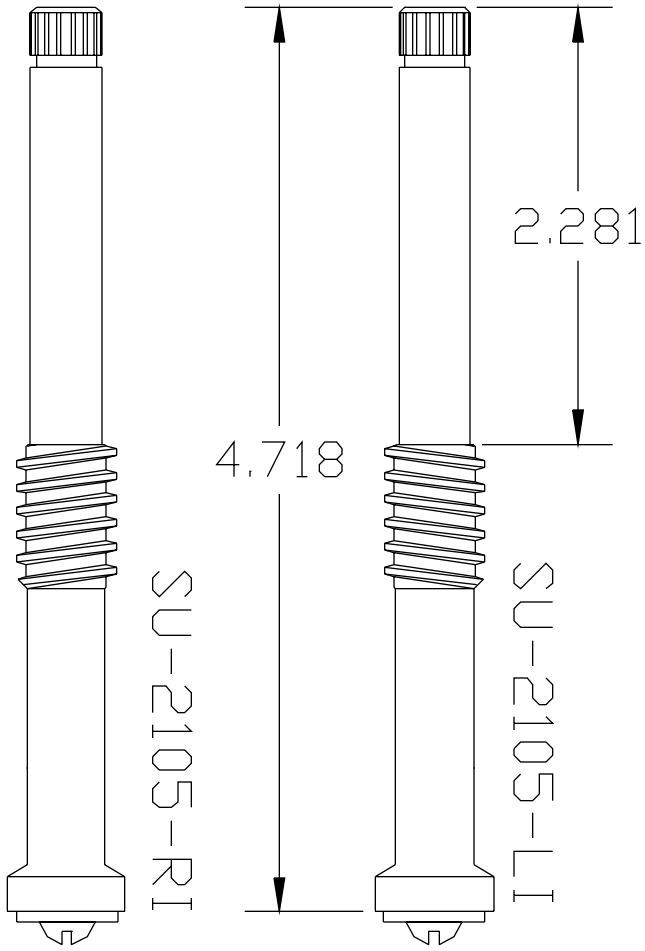
MANUFACTURING COMPANY

2950 East 55th St. Cleveland, Ohio 44127

Phone: (216) 883-0220 Fax: (216) 883-0875

www.CentralBrass.com

STEM REFERENCE DRAWINGS



Central Brass

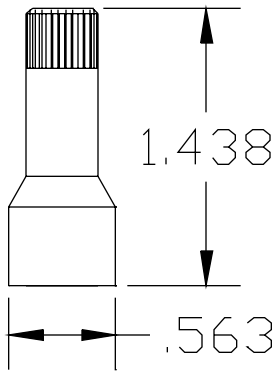
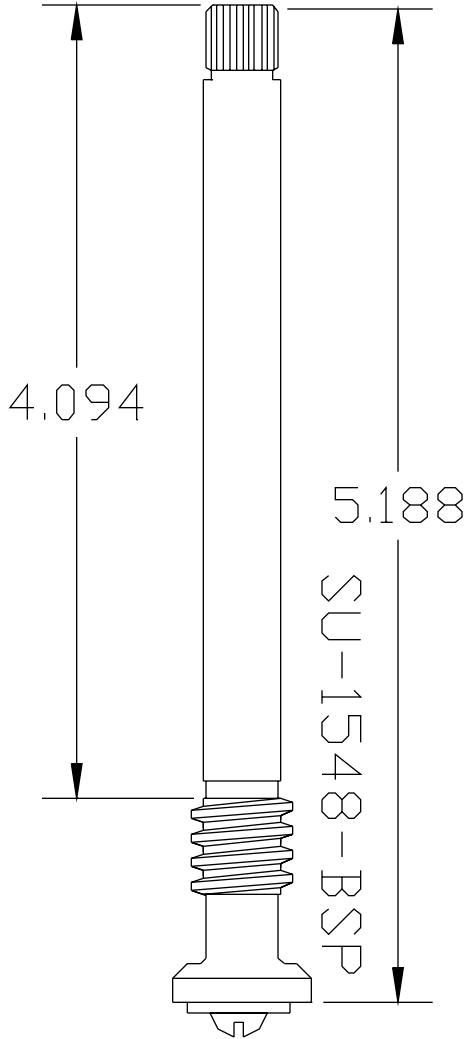
MANUFACTURING COMPANY

2950 East 55th St. Cleveland, Ohio 44127

Phone: (216) 883-0220 Fax: (216) 883-0875

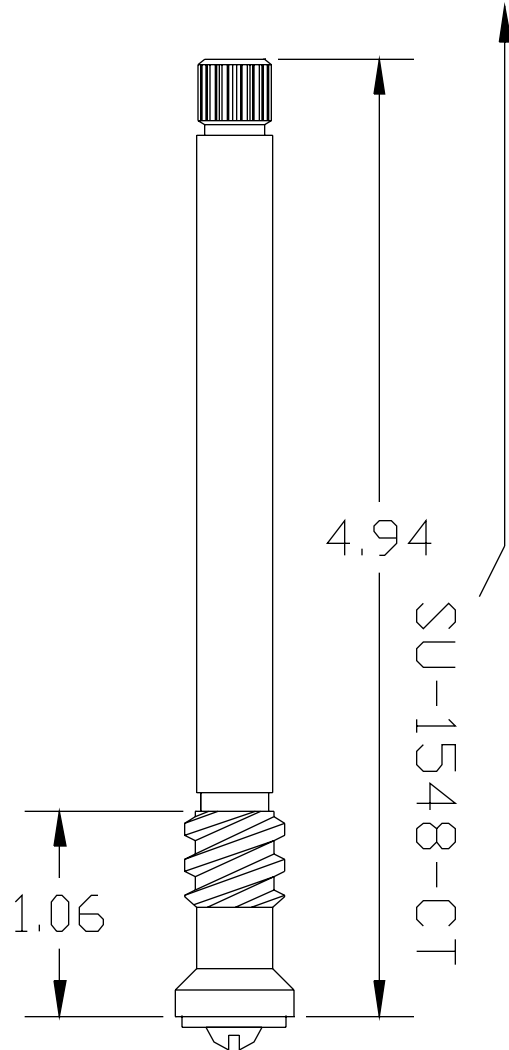
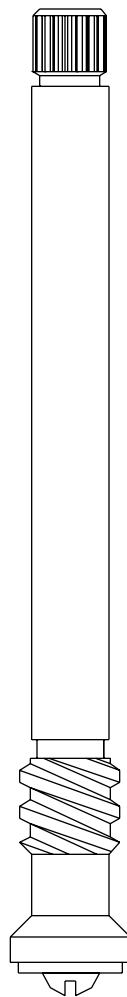
www.CentralBrass.com

STEM REFERENCE DRAWINGS



1548-ET
NOTE: 1-1/16" EXTENSION

(SU-1548-CTP
SU-1548-CTDP
K-1548-CT1
K-1548-CTD1)



Central Brass

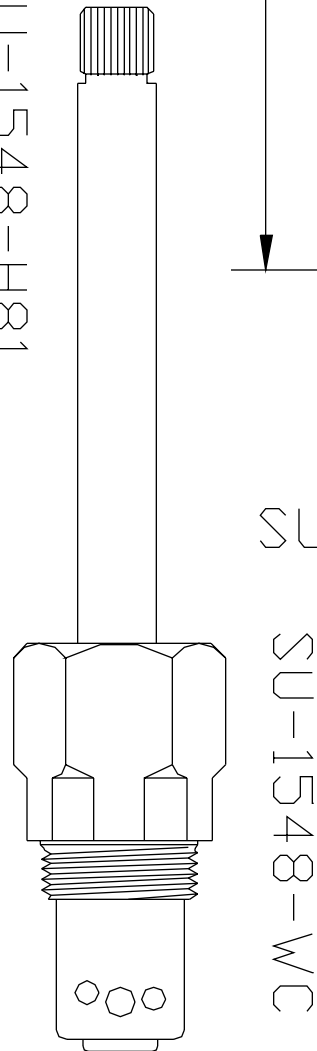
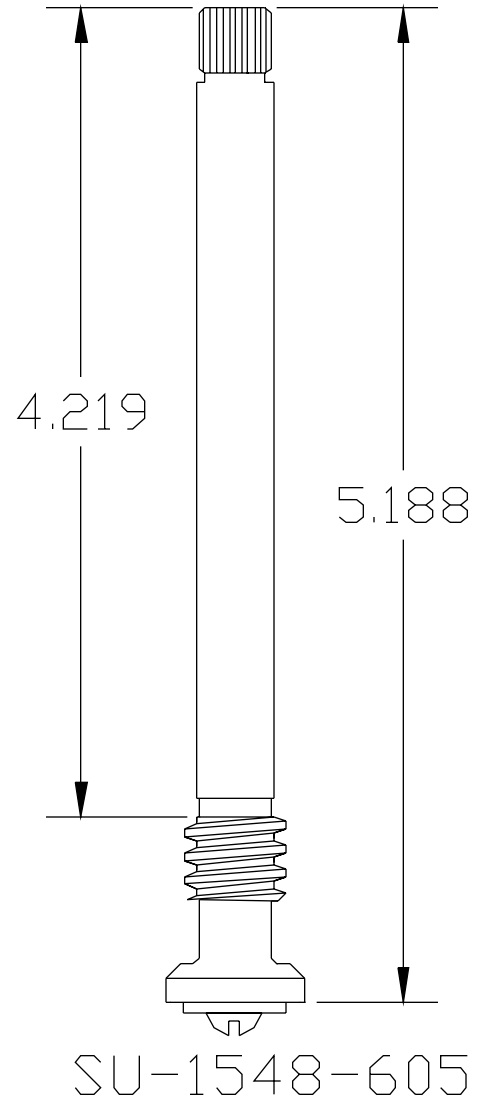
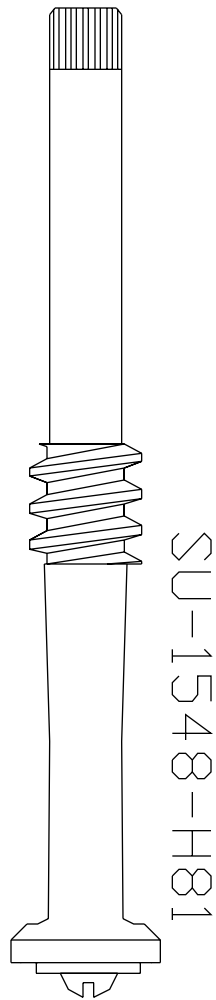
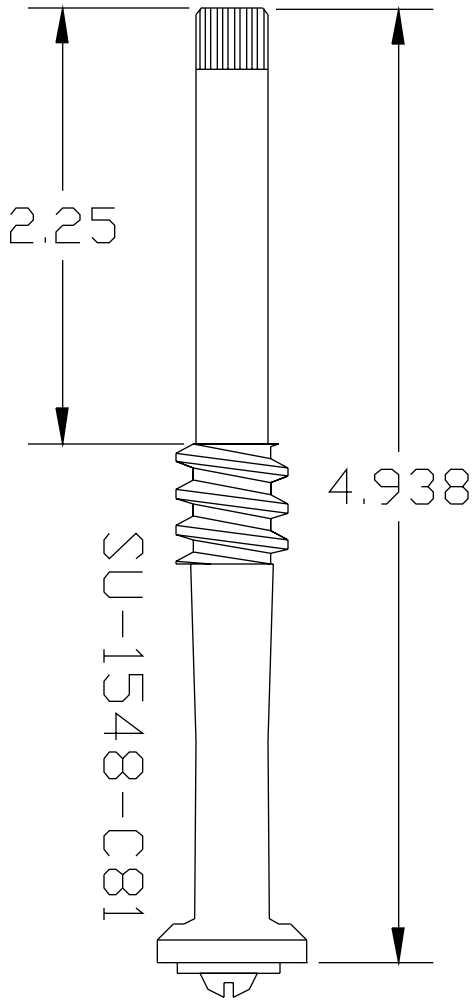
MANUFACTURING COMPANY

2950 East 55th St. Cleveland, Ohio 44127

Phone: (216) 883-0220 Fax: (216) 883-0875

www.CentralBrass.com

STEM REFERENCE DRAWINGS



Central Brass

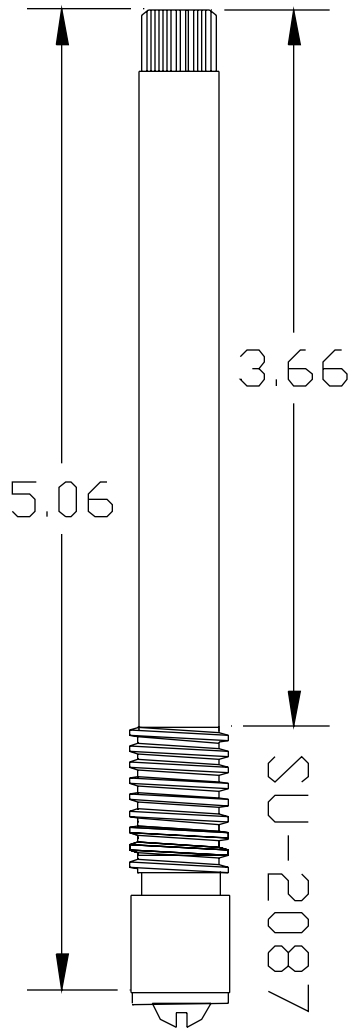
MANUFACTURING COMPANY

2950 East 55th St. Cleveland, Ohio 44127

Phone: (216) 883-0220 Fax: (216) 883-0875

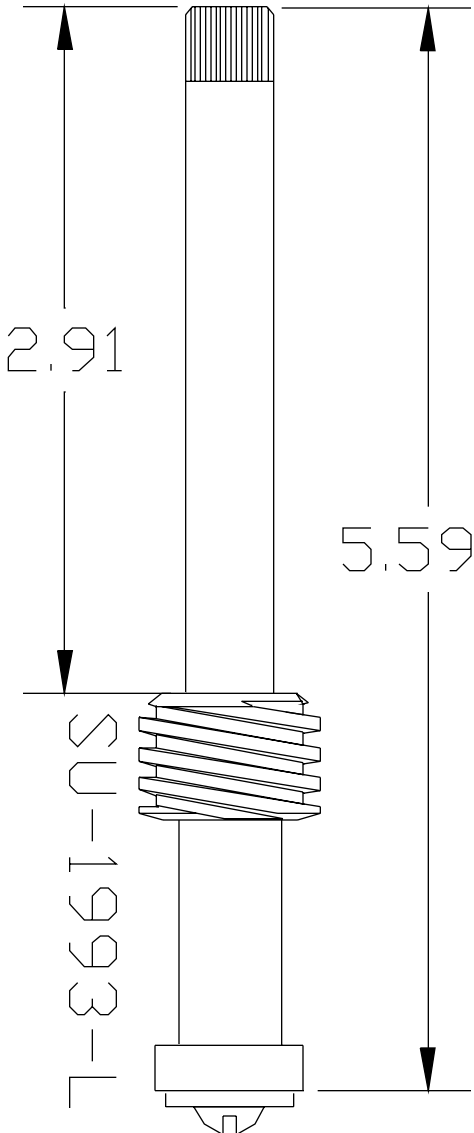
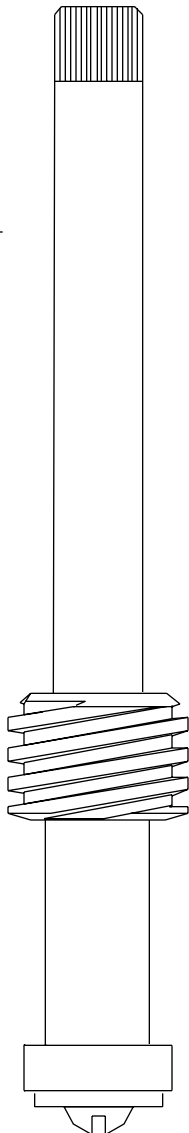
www.CentralBrass.com

STEM REFERENCE DRAWINGS

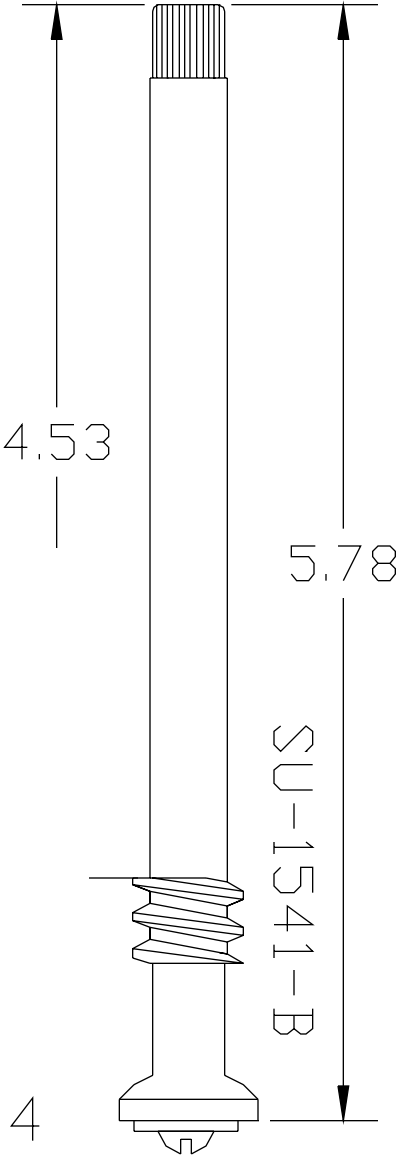


SU-2087

SU-1993-R



SU-1993-L



SU-1541-B

Central Brass

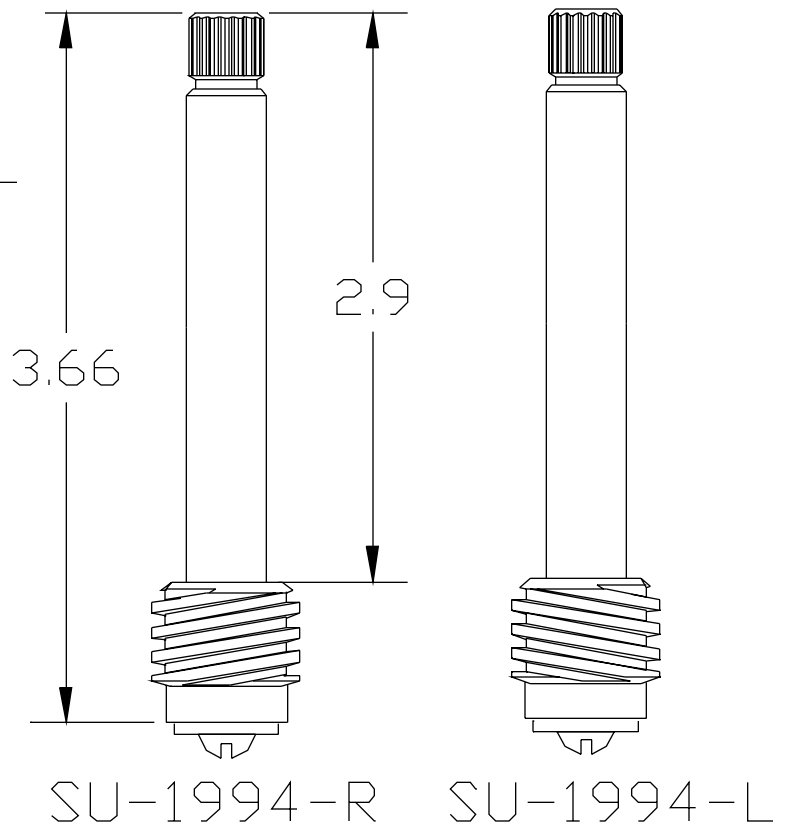
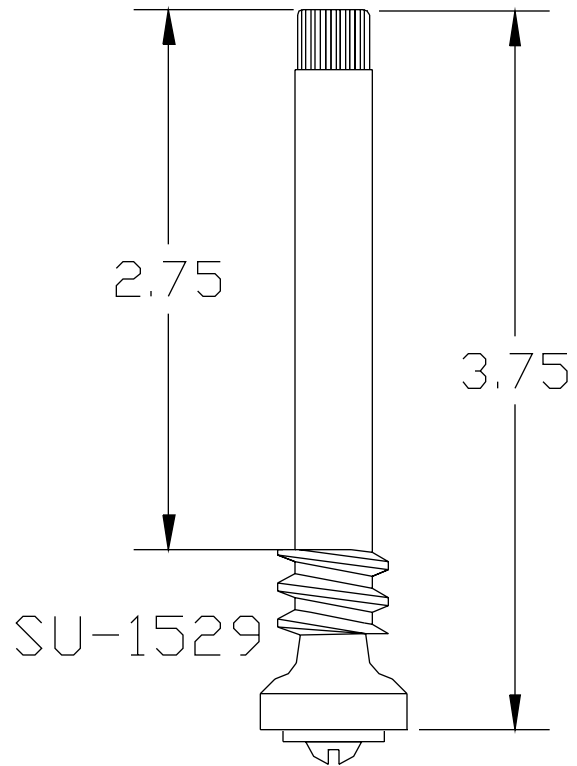
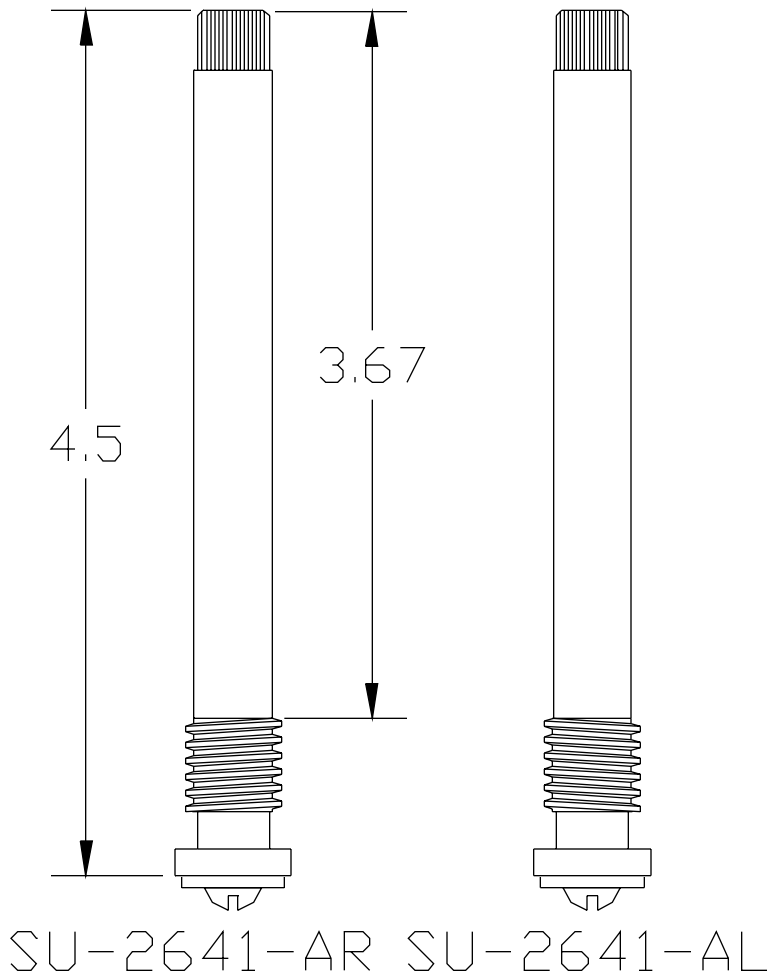
MANUFACTURING COMPANY

2950 East 55th St. Cleveland, Ohio 44127

Phone: (216) 883-0220 Fax: (216) 883-0875

www.CentralBrass.com

STEM REFERENCE DRAWINGS



Central Brass

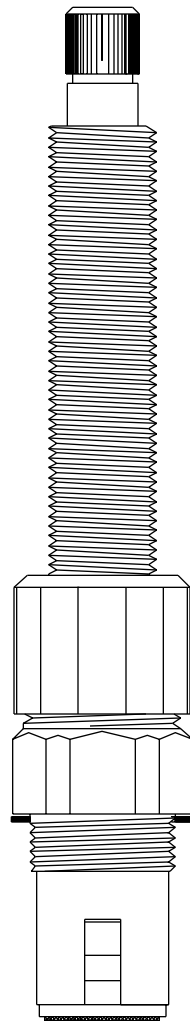
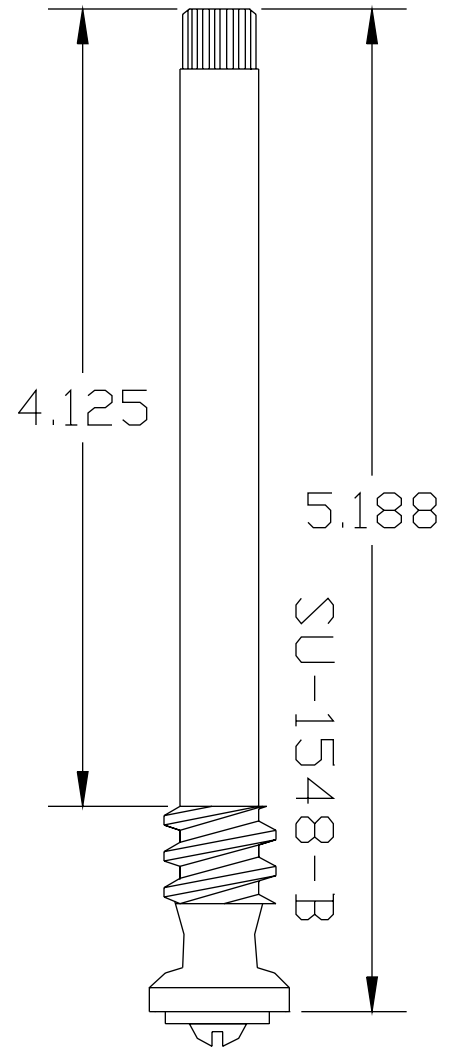
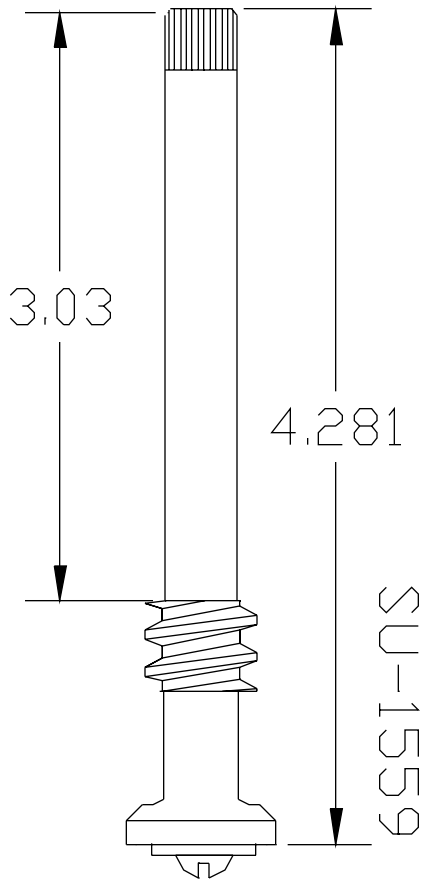
MANUFACTURING COMPANY

2950 East 55th St. Cleveland, Ohio 44127

Phone: (216) 883-0220 Fax: (216) 883-0875

www.CentralBrass.com

STEM REFERENCE DRAWINGS



SU-351-R

12 OF 12